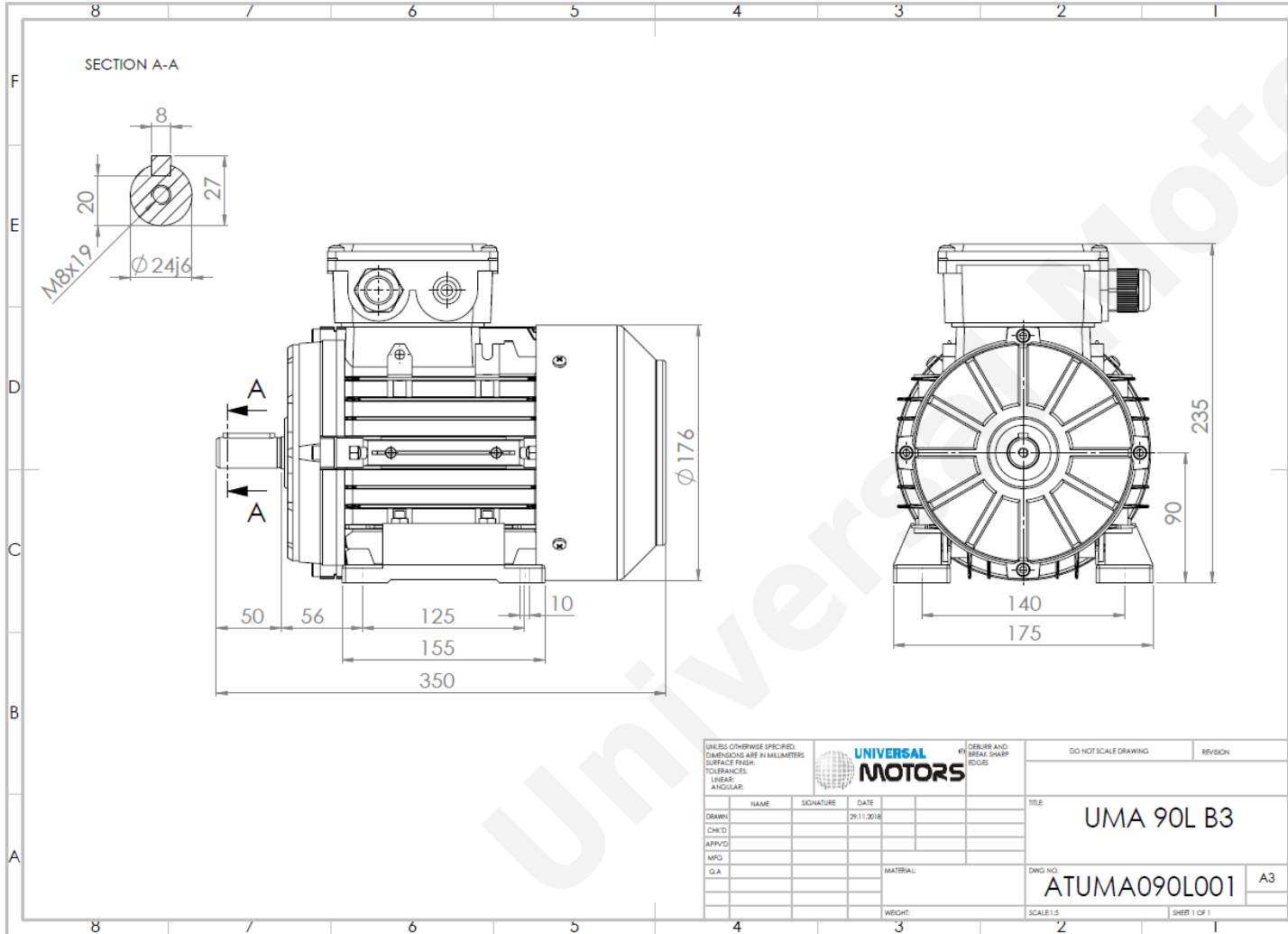




TECHNICAL DATA

Three Phase Electric Motors - Aluminum Frame
 UM3A 90L2-6 IE3
 1.5 kW / 2 Cv
 950 RPM



Motor type:	UM3A 90L2-6 IE3
Output:	1.5 kW / 2 Cv
Speed (min ⁻¹):	950 RPM
Frequency:	50 Hz
Voltage:	400 V
Current:	3.92 A
Power factor (Cos Ø):	0.67
Poles:	6
Insulation class:	F
Temperature rise Class:	B
Efficiency 50%:	80.5 %
Efficiency 75%:	82.7 %
Efficiency 100%:	82.5 %
Torque:	15 N.m
Tstarting/Tnominal:	2.9
Istarting/Inominal:	5.6
Tmaximum/Tnominal:	3.0
Noise:	61 Db(A)
Weight:	21.3 Kg
Brake AC:	AC4
Torque Brake DC:	16 N.m
Bearing DE:	6205 2Z
Bearing NDE:	6205 2Z
Torque Brake AC:	20 N.m
Brake DC:	REB-05-10

UNLESS OTHERWISE SPECIFIED: DIMENSIONS ARE IN MILLIMETERS SURFACE FINISH: TOLERANCES: LINEAR: ANGULAR:				UNIVERSAL MOTORS		#1 DEBURR AND BREAK SHARP EDGES		DO NOT SCALE DRAWING		REVISION	
DRAWN	NAME	SIGNATURE	DATE	TITLE:		UMA 90L B3		DWG NO.:		A3	
CHK'D			26.11.2016					ATUMA090L001		SCALE:1:5	
APPV'D										SHEET 1 OF 1	
MFG				MATERIAL:							
Q.A.				WEIGHT:							

Regime - S1

Altitude - 1000m

Environment Temperature - 40°C

CONTACTS:

UNIVERSAL MOTORS Tel: +351 252 299 080
 Rua de São Brás,745 Fax: +351 252 299 089
 4480-782 VILA DO CONDE Mail: geral@universalmotors.pt

* References applied only in the UK